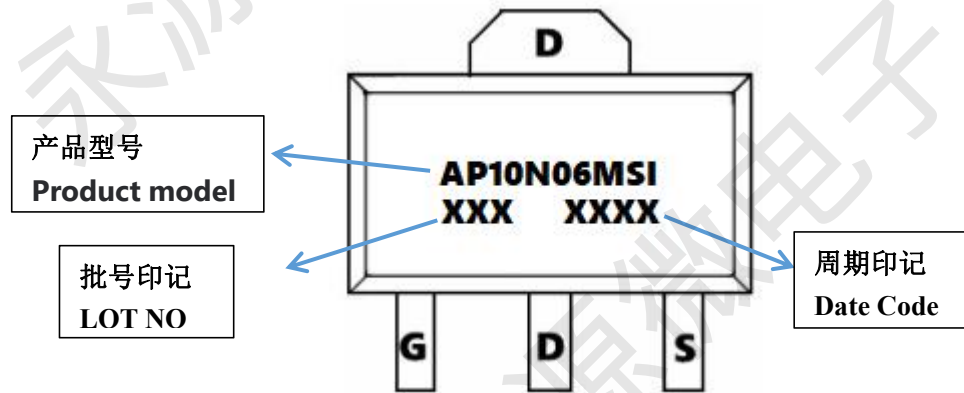
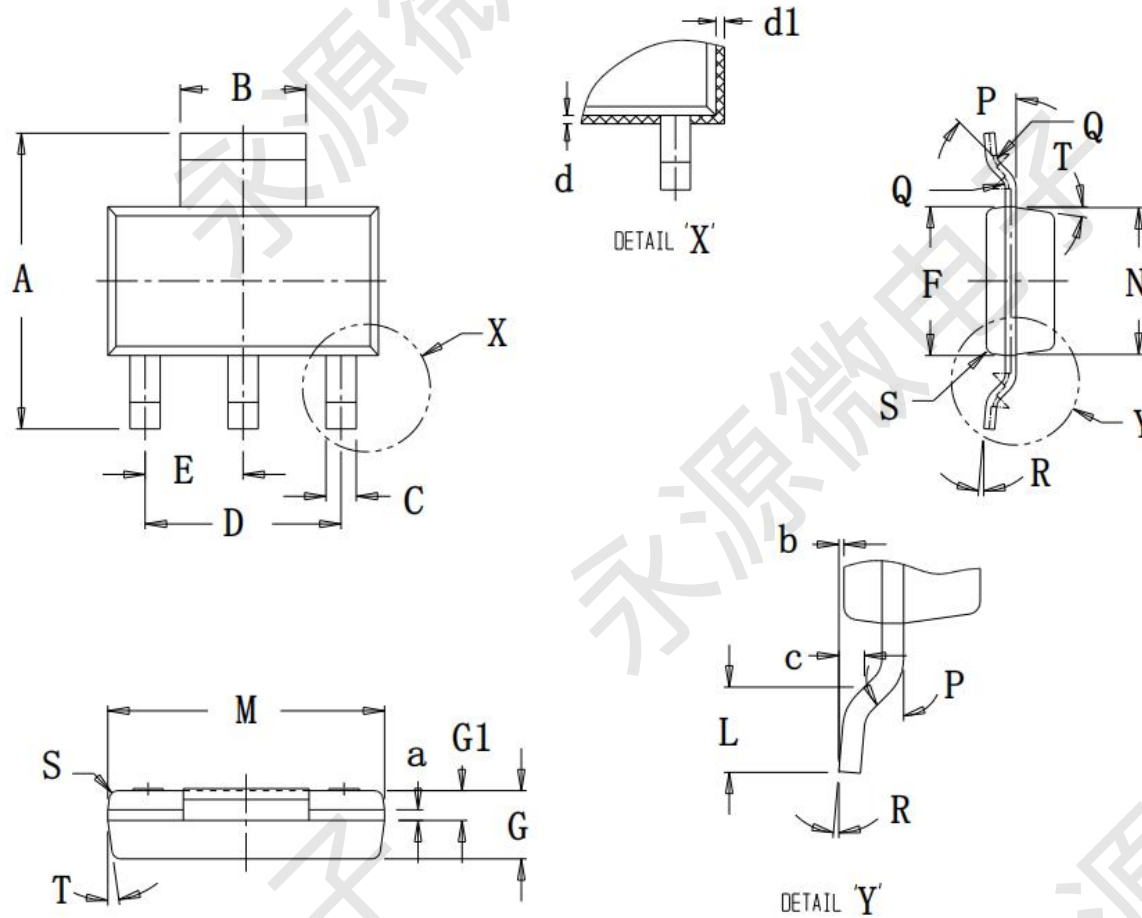


Screening Instructions

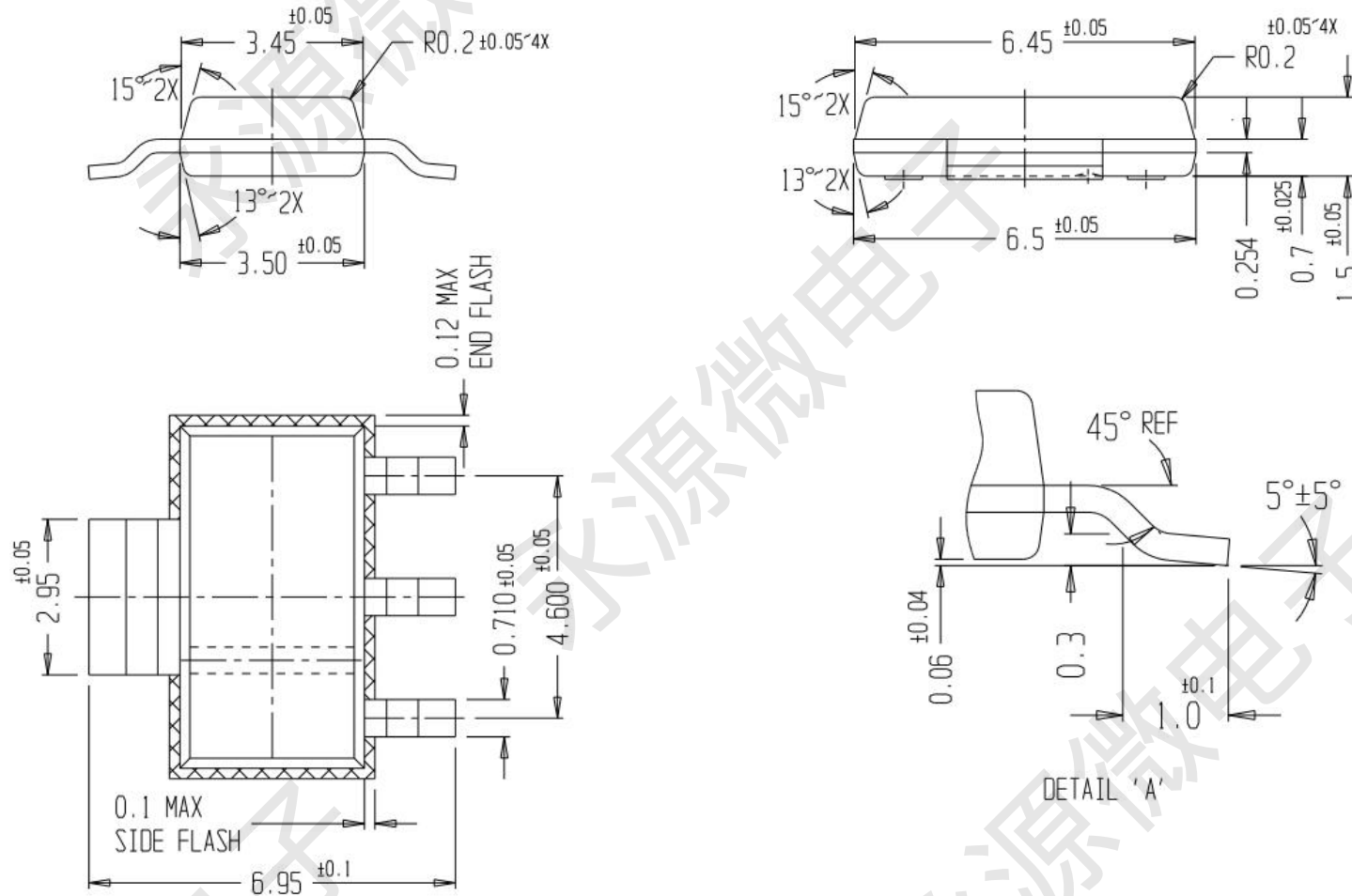


Package Mechanical Data-SOT223-3L --- A

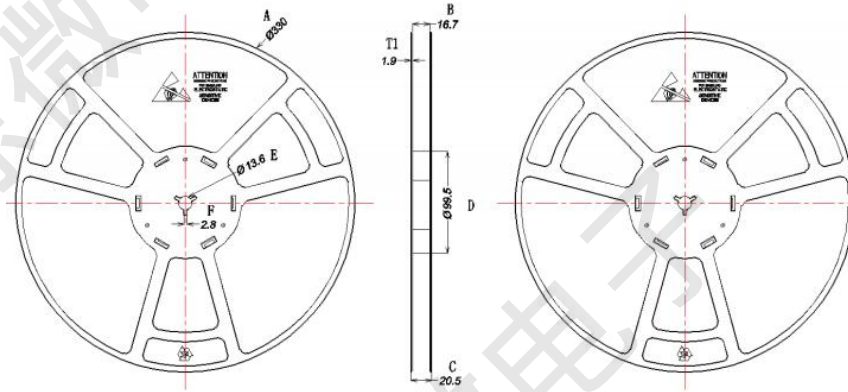


COMMON DIMENSIONS			
UNITS MEASURE=MILLIMETER			
SYMBOL	MIN	NOM	MAX
A	6.85	6.95	7.05
B	2.90	2.95	3.00
C	0.66	0.71	0.76
D	—	4.60	—
E	2.25	2.30	2.35
F	3.45	3.50	3.55
G	1.55	1.60	1.65
G1	0.675	0.700	0.725
L	0.90	1.00	1.10
M	6.45	6.50	6.55
N	3.40	3.45	3.50
P	—	45°REF	—
Q	—	R 0.3	—
R	0°	5°	10°
S	R 0.15	R 0.20	R 0.25
T	6°	8°	10°
a	—	0.254	—
b	0.02	0.06	0.10
c	—	0.30	—
d	0	—	0.10
d1	0	—	0.12

Package Mechanical Data-SOT223-3L --- B

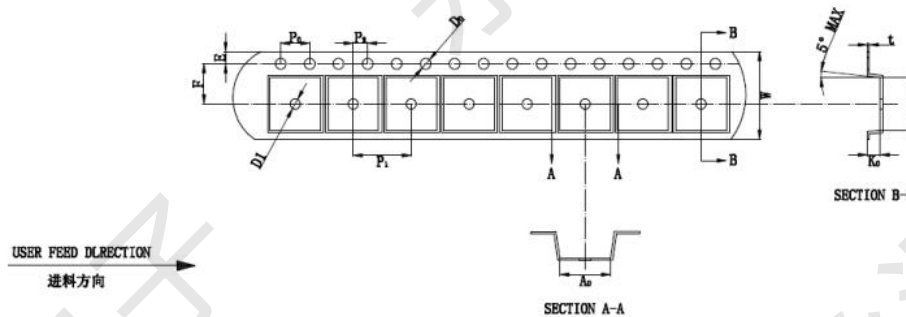


Reel Specification-SOT223-3L



A±1	B±0.5	C±0.3	D±0.2	E±0.2	F±0.2	T1±0.2
Ø330	16.7	20.5	Ø99.5	Ø13.6	2.8	1.9

PKG TYPE	W	P	E	F	D	D1	Po	Po10	P2	A0	B0	K0	T
SOT-223	12.00	4.00	1.75	5.50	1.50	1.50	4.00	40.00	2.00	7.00	7.27	1.85	0.20
Tolerance	±0.2	±0.1	±0.1	±0.1	±0.1	±0.1	±0.1	±0.2	±0.1	±0.1	±0.1	±0.1	±0.04



Package Quantity

封装形式 Encapsulation mode	包装方式 Modes of packing	包装数量(Package quantity)/重量 (Weight)		
SOT223-3L	盘/Reel	3000PCS/盘 (Reel)	6000PCS/内盒 (Inner Carton)	48000PCS/箱 (Box)
		0.575KG	1.5KG	13.1KG