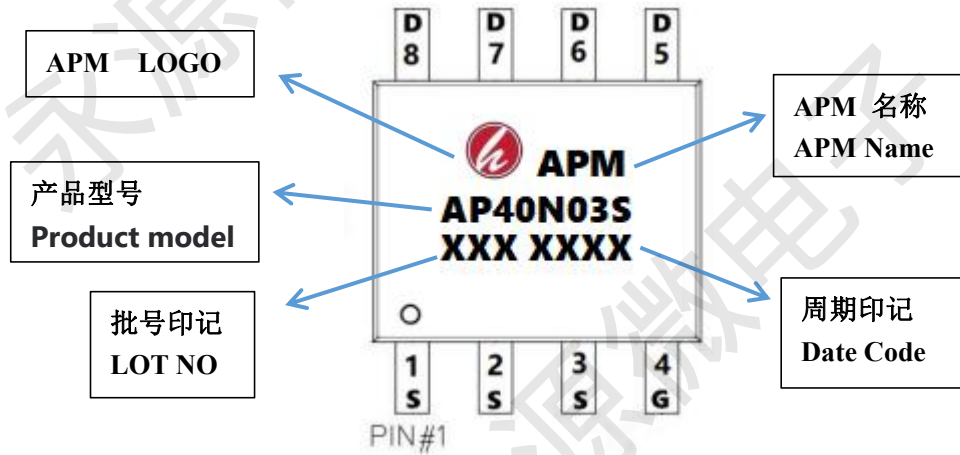
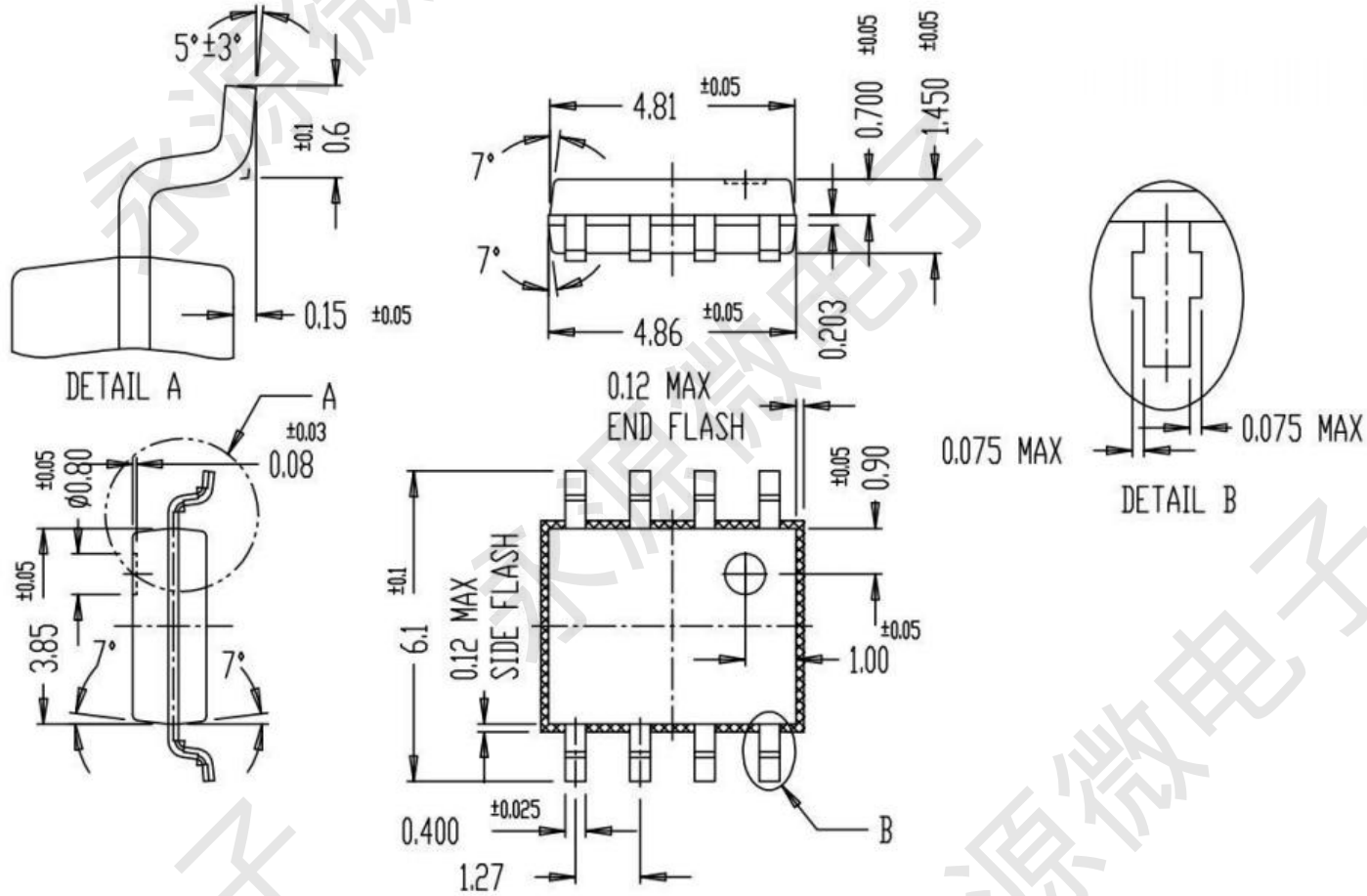


## Screening Instructions

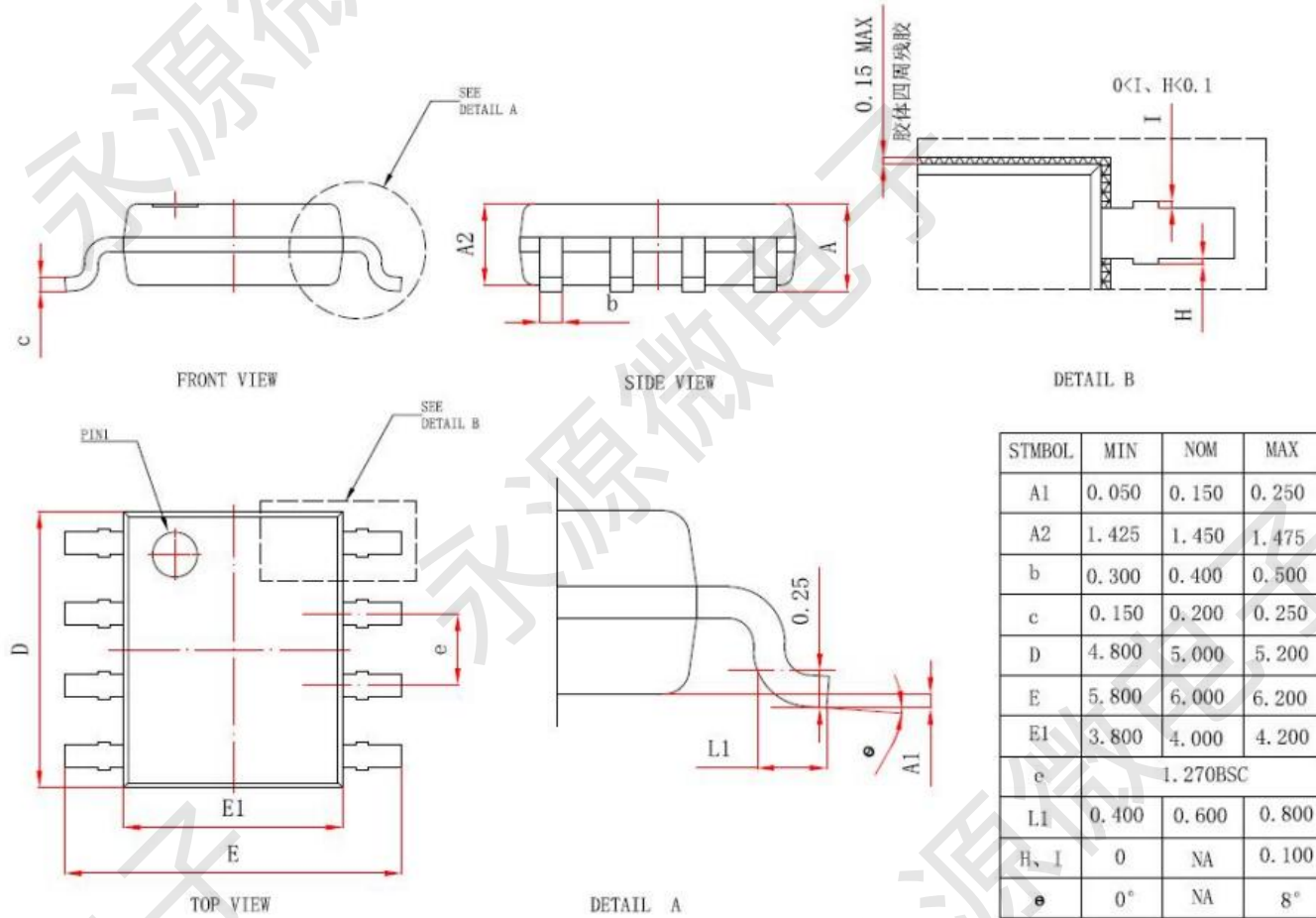


**Package Mechanical Data-SOP-8L --- A**

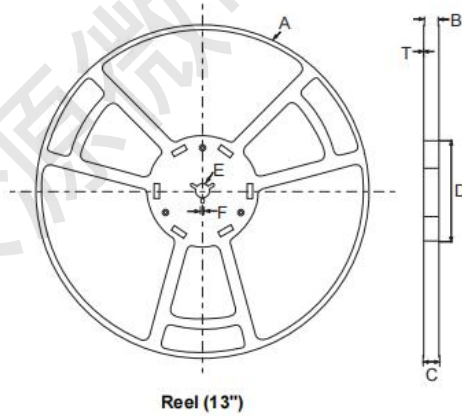


**Package Mechanical Data-SOP-8L --- B**

尺寸图

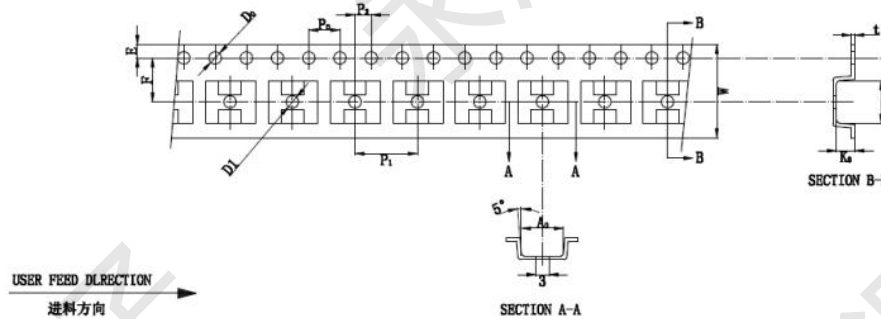


## Reel Specification-SOP-8L



symbol	Value(unit:mm)
A	$\Phi 330 \pm 1$
B	$12.7 \pm 0.5$
C	$16.5 \pm 0.3$
D	$\Phi 99.5 \pm 0.5$
E	$\Phi 13.6 \pm 0.3$
F	$2.8 \pm 0.3$
T1	$1.9 \pm 0.2$

PKG TYPE	W	P	E	F	D	DI	Po	Po10	P2	A0	B0	K0	T
SOP8	12.00	8.00	1.75	5.50	1.55	1.50	4.00	40.00	2.00	6.40	5.25	2.00	0.20
Tolerance	$\pm 0.2$	$\pm 0.1$	$\pm 0.1$	$\pm 0.1$	$\pm 0.1$	$\pm 0.1$	$\pm 0.1$	$\pm 0.2$	$\pm 0.1$	$\pm 0.1$	$\pm 0.1$	$\pm 0.1$	$\pm 0.04$



### Package Quantity

封装形式 Encapsulation mode	包装方式 Modes of packing	包装数量(Package quantity)/重量 (Weight)		
SOP-8L	盘/Reel	3000PCS/ 盘(Reel)	6000PCS/内盒 (Inner Carton)	30000PCS/箱(Box)
		0.55KG	1.46KG	8.22KG