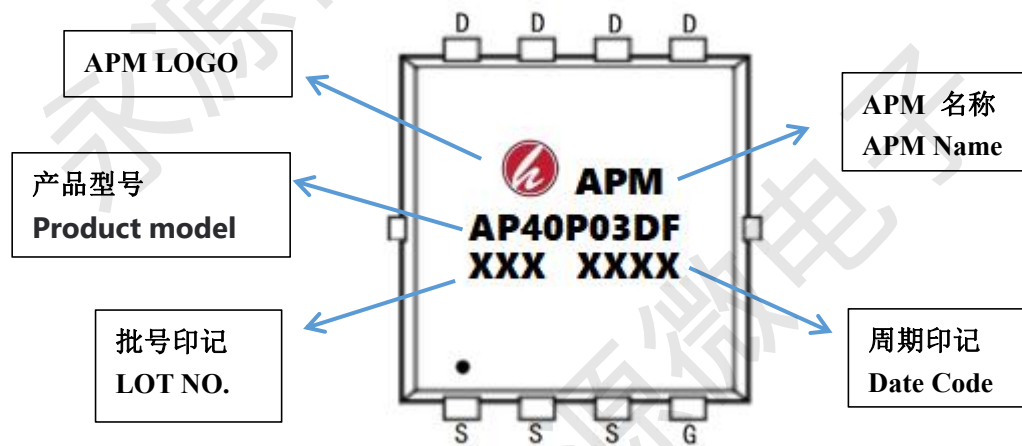
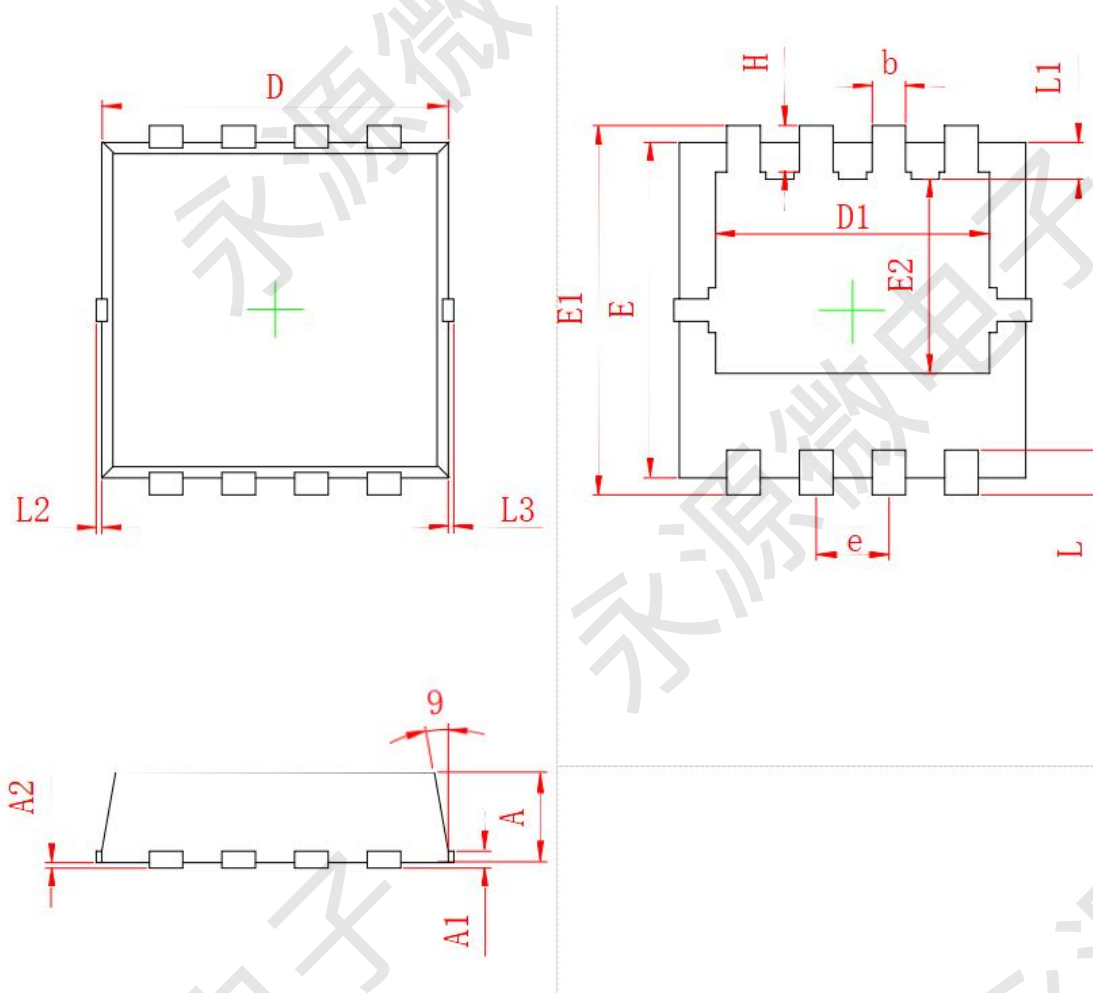


Screening Instructions

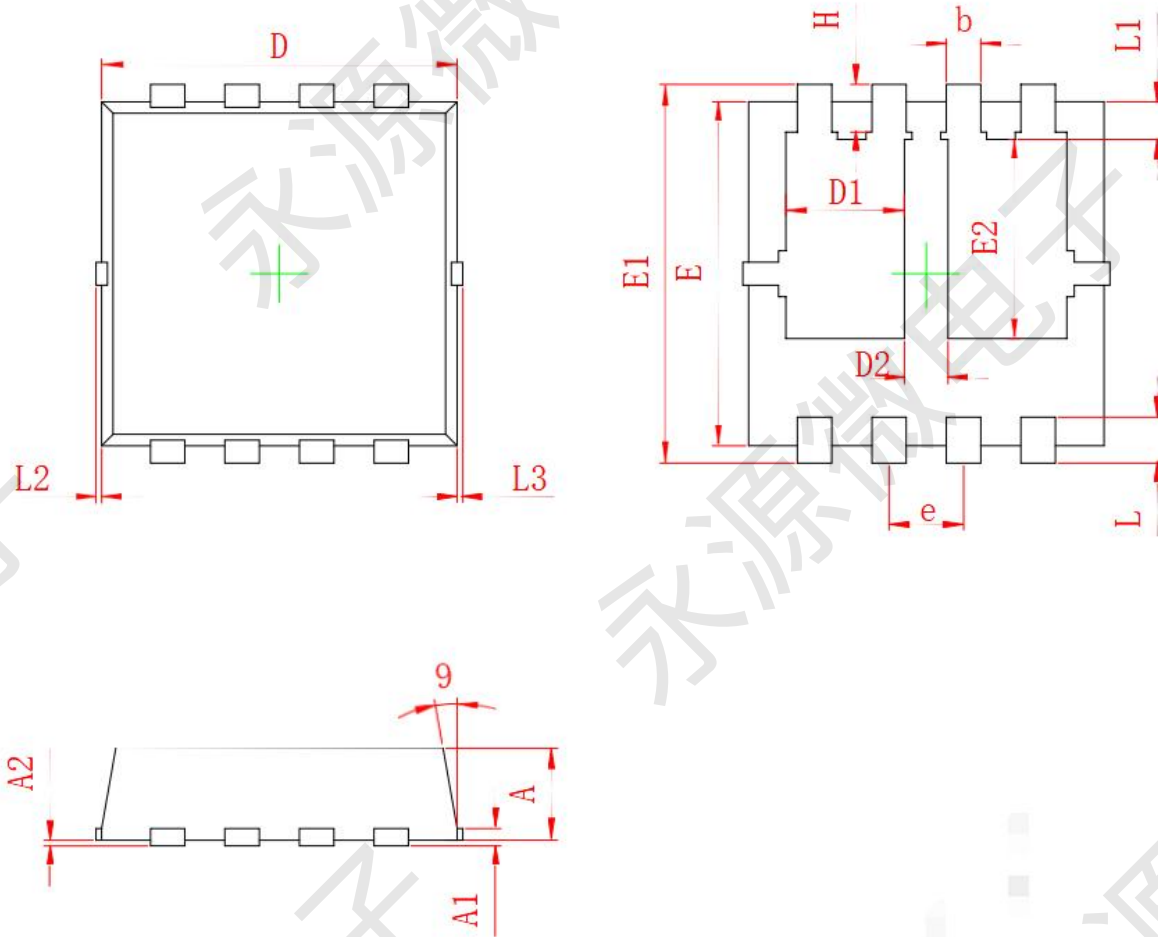


Package Mechanical Data-PDFN3*3-8L --- A.1



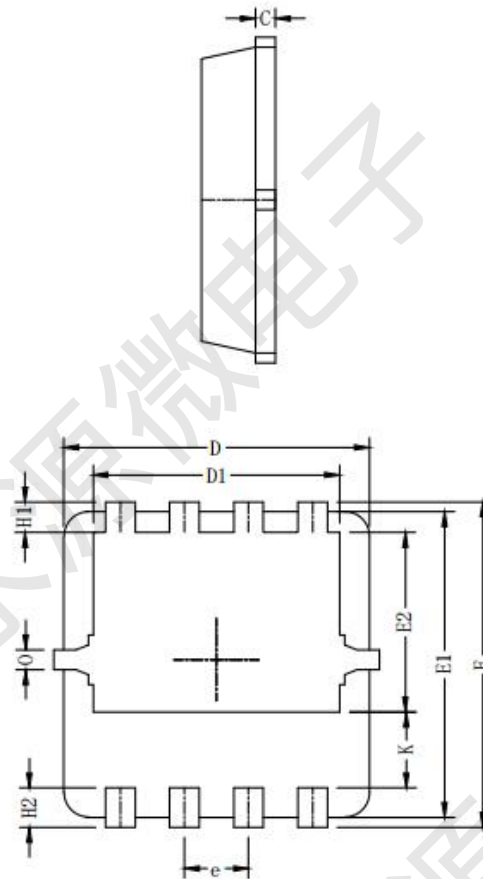
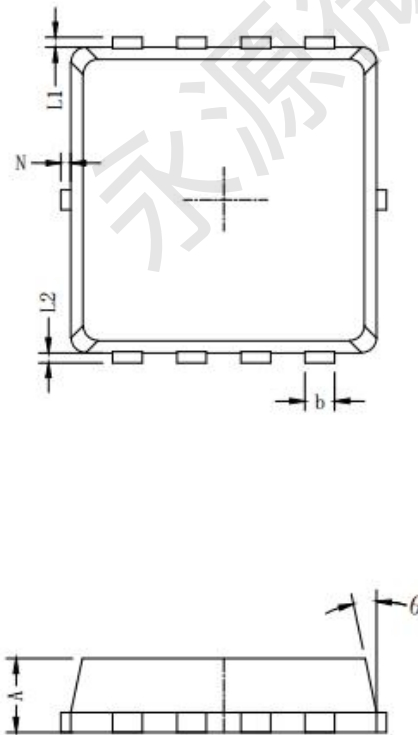
SYMBOL	MILLIMETER	
	MIN	MAX
A	0.700	0.900
A1	0.152 REF.	
A2	0° 05	
D	3.000	3.200
D1	2.300	2.600
E	2.900	3.100
E1	3.150	3.450
E2	1.535	1.935
b	0.200	0.400
e	0.550	0.750
L	0.300	0.500
L1	0.180	0.480
L2	0° 0.100	
L3	0° 0.100	
H	0.315	0.515
9	8°	12°

Package Mechanical Data-PDFN3*3-8L --- A.2



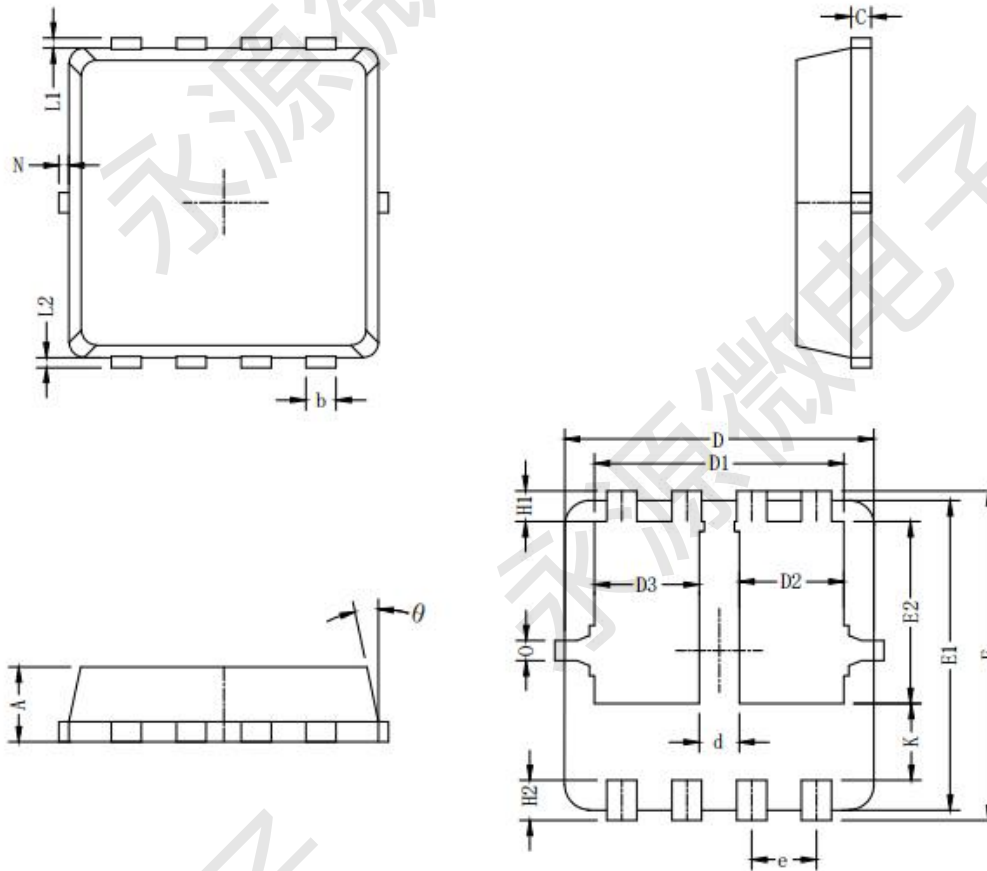
SYMBOL	MILLIMETER	
	MIN	MAX
A	0.700	0.900
A1	0.152 REF.	
A2	0°0 05	
D	3.000	3.200
D1	0.935	1.135
D2	0.280	0.480
E	2.900	3.100
E1	3.150	3.450
E2	1.535	1.935
b	0.200	0.400
e	0.550	0.750
L	0.300	0.500
L1	0.180	0.480
L2	0°0.100	
L3	0°0 100	
H	0.315	0.515
9	8°	12°

Package Mechanical Data-PDFN3*3-8L --- B.1



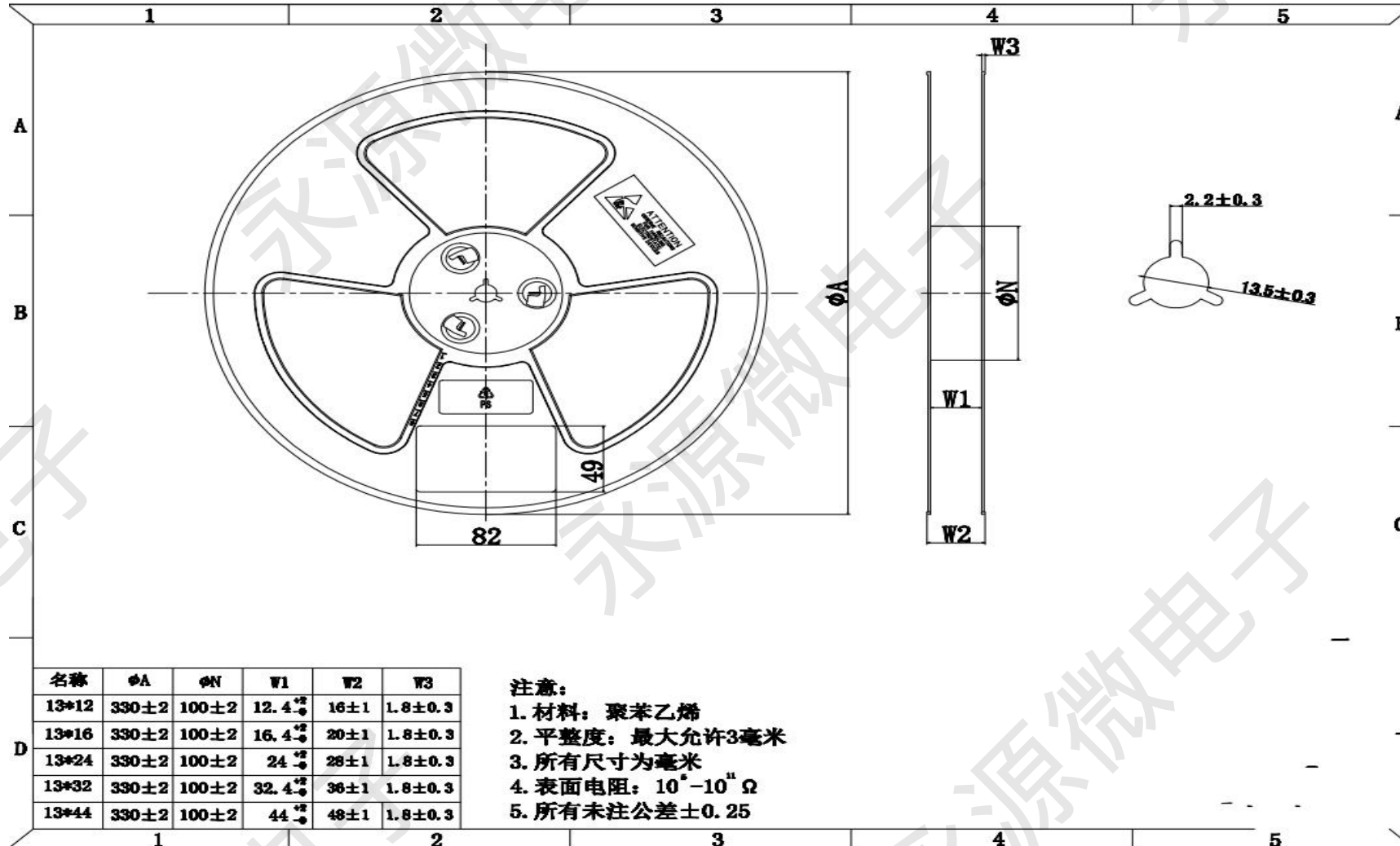
Symbols	Millimeters		
	MIN.	NOM.	MAX.
A	0.65	0.75	0.85
b	0.25	0.30	0.35
C	0.15	0.20	0.25
D	3.00	3.10	3.20
D1	2.40	2.50	2.60
E	3.20	3.30	3.40
E1	3.00	3.10	3.20
E2	1.72	1.82	1.92
e	0.65 BSC.		
H1	0.21	0.31	0.41
H2	0.30	0.40	0.50
K	0.67	0.77	0.87
L1/L2	0.10 REF.		
θ	11°	12°	13°
N	0	-	0.15
o	0.2 REF.		

Package Mechanical Data-PDFN3*3-8L --- B.2

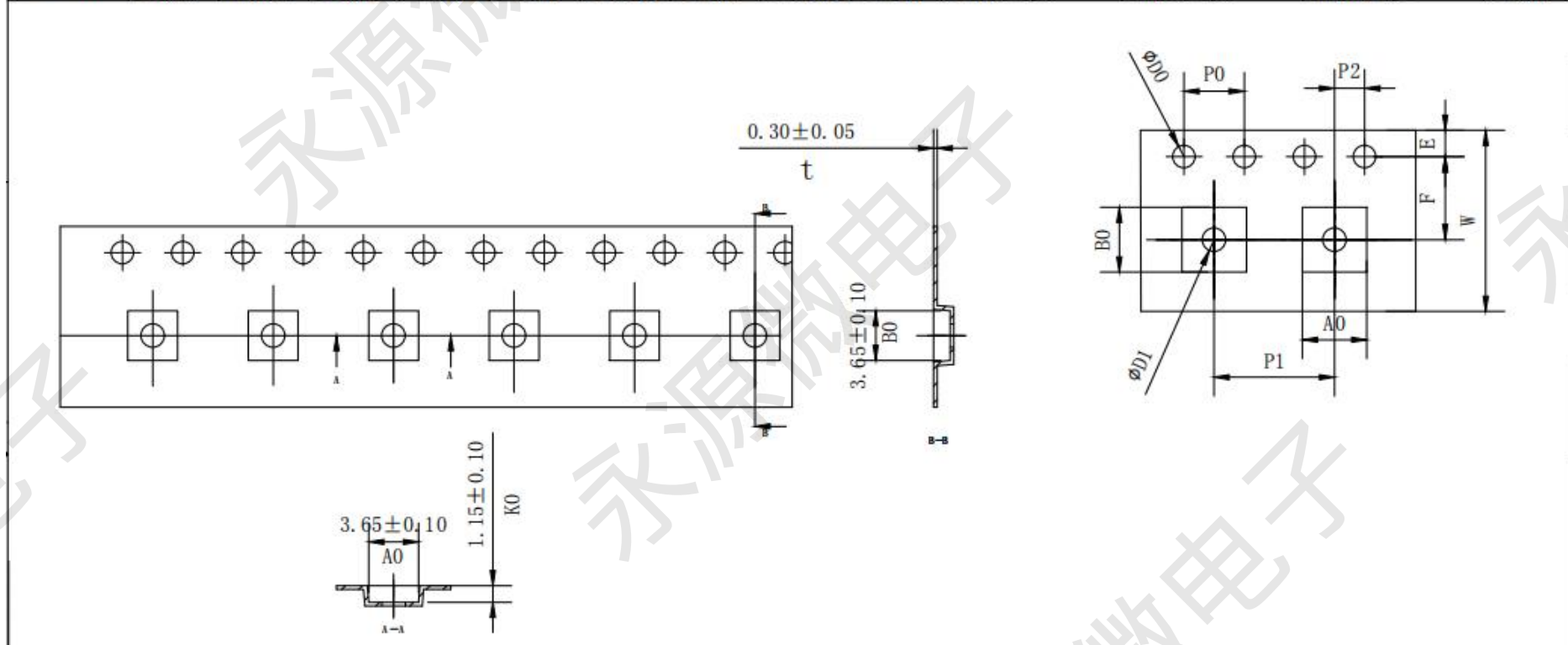


Symbols	Millimeters		
	MIN.	NOM.	MAX.
A	0.65	0.75	0.85
b	0.25	0.30	0.35
C	0.15	0.20	0.25
D	3.00	3.10	3.20
D1	2.40	2.50	2.60
D2/D3	1.00	1.05	1.10
d	0.30	0.40	0.50
E	3.20	3.30	3.40
E1	3.00	3.10	3.20
E2	1.72	1.82	1.92
e	0.65 BSC.		
H1	0.21	0.31	0.41
H2	0.30	0.40	0.50
K	0.67	0.77	0.87
L1/L2	0.10 REF.		
θ	11°	12°	13°
N	0	-	0.15
0	0.2 REF.		

Reel Specification-PDFN3*3-8L



规格	W	E	F	D0	D1	P0	P2	10P0	P1	A0	A1	B0	B1	K0	K1	t
尺寸	12.00 ±0.30	1.75 ±0.10	5.50 ±0.05	1.50 +0.10	1.50 +0.10	4.00 ±0.10	2.00 ±0.05	40.00 ±0.20	8.00 ±0.10	3.65 ±0.10		3.65 ±0.10		1.15 ±0.10		0.30 ±0.05



Package Quantity

封装形式 Encapsulation mode	包装方式 Modes of packing	包装数量(Package quantity)/重量 (Weight)		
PDFN3*3-8L	盘/Reel	5000PCS/盘 (Reel)	10000PCS/内盒 (Inner Carton)	50000PCS/箱 (Box)
		0.56KG	1.34KG	7.4KG